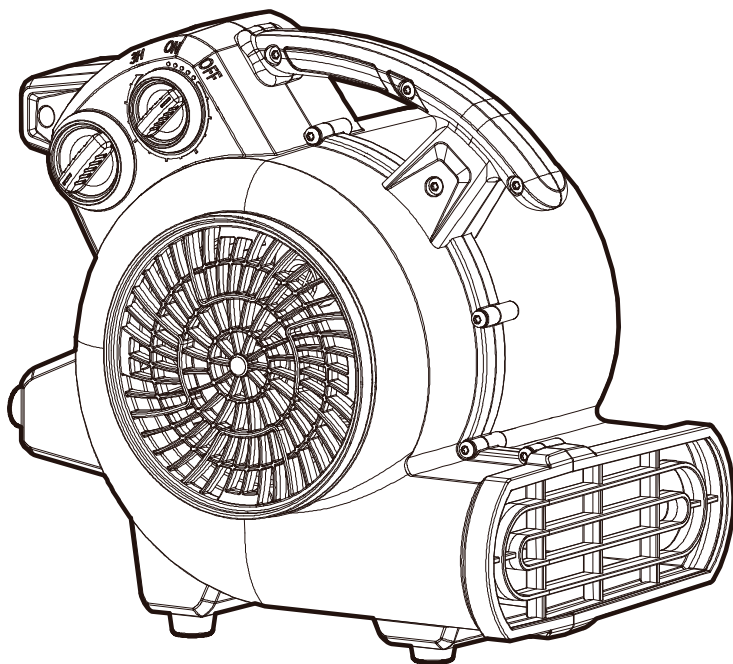


# SAM130

## 130W AIR MOVER

OWNER'S MANUAL



FOR YOUR SAFETY  
PLEASE READ THESE INSTRUCTIONS CAREFULLY  
AND RETAIN THEM FOR FUTURE USE.

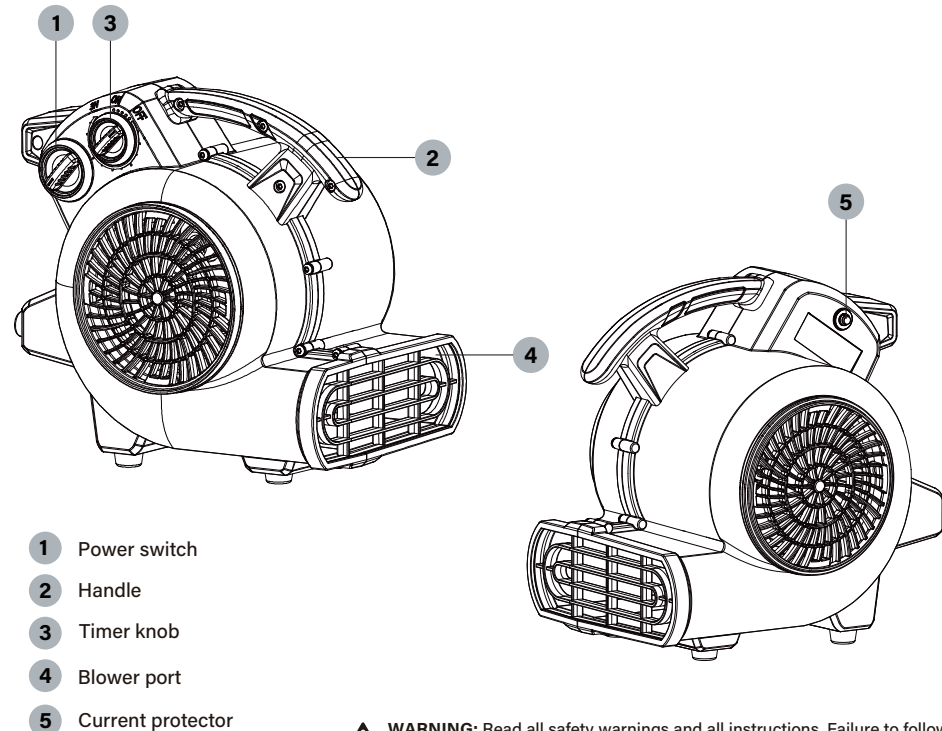


## KEY PARTS DIAGRAM

### DEFINITIONS: SAFETY ALERT SYMBOLS AND WORDS

This instruction manual uses the following safety alert symbols and words to alert people to hazardous situations and the risk of personal injury or property damage.

- ⚠ DANGER:** indicates an imminently hazardous situation which, if not avoided, will result in death or serious injury.
- ⚠ WARNING:** indicates a potentially hazardous situation which, if not avoided, could result in death or serious injury.
- ⚠ CAUTION:** indicates a potentially hazardous situation which, if not avoided, may result in minor or moderate injury.
- NOTICE:** indicates a practice not related to personal injury which, if not avoided, may result in property damage.



**⚠ WARNING:** Read all safety warnings and all instructions. Failure to follow the warnings and instructions may result in electric shock, fire and/or serious injury.

**👤 NOTICE:** To reduce the risk of injury, read the instruction manual.

## SAFETY INFORMATION

### ⚠ WARNING

When using electric appliances, always follow basic safety precautions to reduce the risk of fire, electric shock and personal injury, including the following:

#### BEFORE USING THIS APPLIANCE, READ AND FOLLOW ALL INSTRUCTIONS.

#### ⚠ WARNING: To reduce the risk of electric shock. Do not expose to rain. Store indoors.

- Do not leave the appliance when it is connected to a power source. Unplug it from outlet when not in use and before servicing.
- Do not allow the appliance to be used as a toy. Pay close attention when the appliance is used by or near children.
- Use this appliance ONLY as described in the manual.
- Do not use this appliance with a damaged cord or plug. If the appliance is not working correctly, or if it has been dropped, damaged, left outdoors, or dropped in water, return it to a service center.
- Do not pull or carry this appliance by the cord, use the cord as a handle, close a door on the cord, or pull the cord around sharp edges or corners.
- Do not run the appliance over the cord. Keep cord away from heated surfaces.
- Do not unplug this appliance by pulling on the cord. To unplug, grasp the plug, not the cord.
- Do not handle the plug or appliance with wet hands.
- Do not put any objects into the openings of the appliance. Do not use the appliance with any opening blocked; keep free of dust, lint, hair and anything else that may reduce air flow.
- Keep hair, loose clothing, fingers, and all body parts away from the openings and moving parts.
- Turn off all controls before unplugging appliance.
- Use extra care when using on or near stairs.
- If the Air Mover is not working as it should, has missing parts, has been dropped, damaged, left outdoors, or dropped into water, call customer service.
- Do not run cord under carpeting. Do not cover cord with throw rugs, runners, or similar coverings. Do not route cord under furniture or appliances. Arrange cord away from traffic area and where it will not be tripped over.

### ⚠ CAUTION

This appliance is not intended for use by persons (including children) with reduced physical, sensory or mental capabilities, or lack of experience and knowledge, unless they have been given supervision or instruction concerning use of the appliance by a person responsible for their safety. Children should be supervised to ensure that they do not play with the appliance.

### ADDITIONAL SAFETY RULES

- An extension cord must have adequate wire size for safety.
- When using more than one extension cord to make up the total length, be sure each individual extension cord contains at least the minimum wire size.
- Do not use to blow combustible explosive materials, such as coal, grain, or other finely divided combustible material.
- Do not use to blow hazardous, toxic or carcinogenic materials, such as asbestos or pesticide.
- Never pick up explosive liquids (e.g. gasoline, diesel fuel, heating oil, paint thinner, etc.), acids or solvents
- Some wood contains preservatives which can be toxic. Take extra care to prevent inhalation and skin contact when working with these materials. Request and follow any safety information available from the material supplier.
- Do not use air mover as a step ladder
- Do not place heavy objects on air mover.

## SAFETY INFORMATION & PRODUCT SPECIFICATIONS

### WARNING

To reduce your exposure to chemicals, wear approved safety equipment such as dust masks that are specially designed to filter out microscopic particles.

### WARNING

TO REDUCE THE RISK OF INJURY, USERS MUST READ INSTRUCTION MANUAL. DO NOT RUN UNATTENDED. DO NOT PICK UP FLAMMABLE, COMBUSTIBLE OR HOT MATERIALS. DO NOT USE AROUND EXPLOSIVE DUST, LIQUIDS OR VAPORS. ELECTRICAL DEVICES PRODUCE ARCS OR SPARKS WHICH CAN CAUSE FIRE OR EXPLOSION. DO NOT USE AT FILLING STATIONS OR ANYWHERE GASOLINE IS STORED OR DISPENSED. DO NOT VACUUM TOXIC OR CARCINOGENIC MATERIALS OR OTHER HEALTH ENDANGERING MATERIALS SUCH AS ASBESTOS OR PESTICIDES. ALWAYS USE PROPER EYE AND RESPIRATORY PROTECTION. TO REDUCE THE RISK OF ELECTRICAL SHOCK, DO NOT EXPOSE TO RAIN. STORE INDOORS. WHEN SERVICING, USE ONLY IDENTICAL REPLACEMENT PARTS. DO NOT TO BE USED AS A STEP STOOL.

### PRODUCT SPECIFICATIONS

Model No.	SAM130
Rating Power	130 W
Voltage/Hz	220-240 V / 50 Hz
Speed	3
Air Flow **	190 L/s
RPM	1350±40 RPM
Noise dB(A)@2m *	≤ 62 dB(A)
Net weight	4 kg
Power Cord	H05VV-F, 3x0.75 mm <sup>2</sup> / 3.05 m Length

\* Tested per ISO 3744.


\*\* According to AMCA 210-16

## OPERATING INSTRUCTIONS

 **WARNING:** TO REDUCE THE RISK OF FIRE OR ELECTRIC SHOCK, DO NOT USE THIS AIR MOVER WITH ANY SOLID-STATE SPEED CONTROL DEVICE.:

### FOLLOW THESE INSTRUCTIONS TO OPERATE THE AIR MOVER

- Unpack air mover from carton.
- To use the unit, place the unit in the area most suitable for the application. Several factors need to be considered; the unit must be placed close enough to an AC outlet to be plugged in, there must be a minimum clearance of two feet from either side of the unit to allow for proper air flow, and the unit should not be placed where it can become a tripping or safety hazard.
- Place unit in the proper operating position for the application. Refer to the Operating Positions section in this manual.
- To use multiple air movers, refer to the Multiple Air Mover instructions in this section.
- Plug unit into the wall.
- Turn unit on and select air speed by turning the switch, located near the top handle, clockwise.
- When the drying job is completed, turn the unit off and follow the directions for Storage in this manual.
- The unit comes with receptacles for the use with multiple units. To use this feature, position the first air mover following the instructions listed above in this section. This unit may be turned on while connecting multiple units.
- Use only on a level and stable surface to prevent air mover from falling and possibly causing injury or damage to unit.
- Plug the second unit into one of the receptacles on the first unit. Place the second unit in the operation position and the area most suitable for the application. The second unit may be turned on at this time.
- A third unit may be plugged into the remaining receptacles on the first unit or plugged into one of the receptacles in the second unit. The third unit may be turned on at this time.
- If desired, follow the same steps to add more units. (totally not more than 5 units with the main unit include)
- The receptacles on the unit are equipped with a circuit protector that will shut off power to the unit should the receptacles become overloaded. If this happens, move the switch to the off position on the unit and any units connected to it. Press the reset button located above the receptacle; Then turn the unit on and any units connected to it.

 **NOTE:** To reduce the risk of fire or electric shock, do not use this air mover with any solid-state speed control device.

### OPERATION POSITIONS

The air mover may be set in one of three operating positions. Pick the position best suited for your application.

1. Use the down position for applications such as drying wet floors, shampooed carpets, etc. To use this position simply place the unit on its base (Figure1).
2. Use the angle position for applications such as drying plaster on walls or drying wet furniture. To use this position, tilt the unit backwards so it rests on the support (Figure2).
3. Use the up position for applications such as drying paint on the ceiling. To use this position, lay the unit on the back side with the front grill pointing towards the ceiling (Figure3).

## OPERATING INSTRUCTIONS

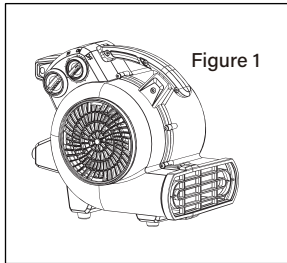


Figure 1

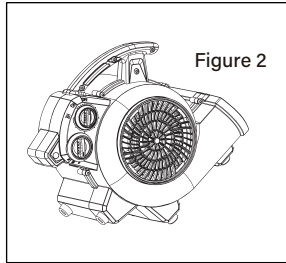


Figure 2

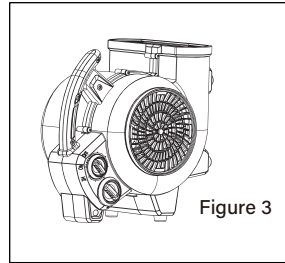


Figure 3

### SWITCH PLATE

#### Timer Knob

1. Turn clockwise to set the timer to count down the minutes to an automatic stop.
2. The timer can be set for up to 180 minutes (3 hours).
3. When the timer reaches the "OFF" position, the unit stops working. When set to the "ON" position, it will work constantly.

#### Power Switch

4. Turn to "0" position to switch the Floor Fan OFF. Turn to any speed position to switch the Floor Fan ON.
5. Turn clockwise to set the desired fan speed.
6. There are 3 speeds: I, II, III. I is the lowest speed and III is the highest.

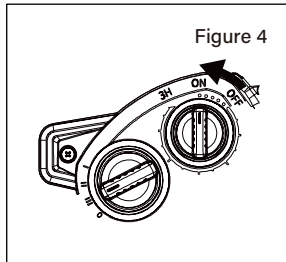
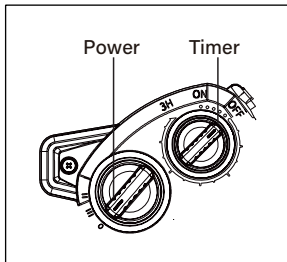


Figure 4

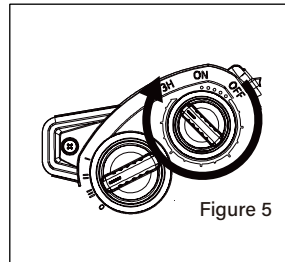


Figure 5

#### CAUTION

1. Unboxing status: The timer knob and switch are both at 0 (OFF).
2. Operating status: First, turn the power switch to III, II, or I; then turn the timer counterclockwise to ON (Figure 4) or clockwise to OFF-3H (Figure 5).

**NOTE:** When the timer is set to ON, the machine will continue to run until shut down manually. To shut it down, turn the power switch to 0 or turn the timer knob to OFF.

**NOTE:** When the timer switch is set to OFF-3H, the machine is in the timing state and will automatically shut down when the timer ends.

## STORAGE & TROUBLESHOOTING

1. Before storing the air mover it should be cleaned.
2. Use a cloth dampened only with water and mild soap.
3. Never let any liquid get inside the air mover.
4. Never immerse any part of the air mover into a liquid.
5. Wrap the power cord around the carry handle on the top of the unit to keep it untangled.

**THE AIR MOVER SHOULD BE STORED INDOORS.**

### TROUBLESHOOTING

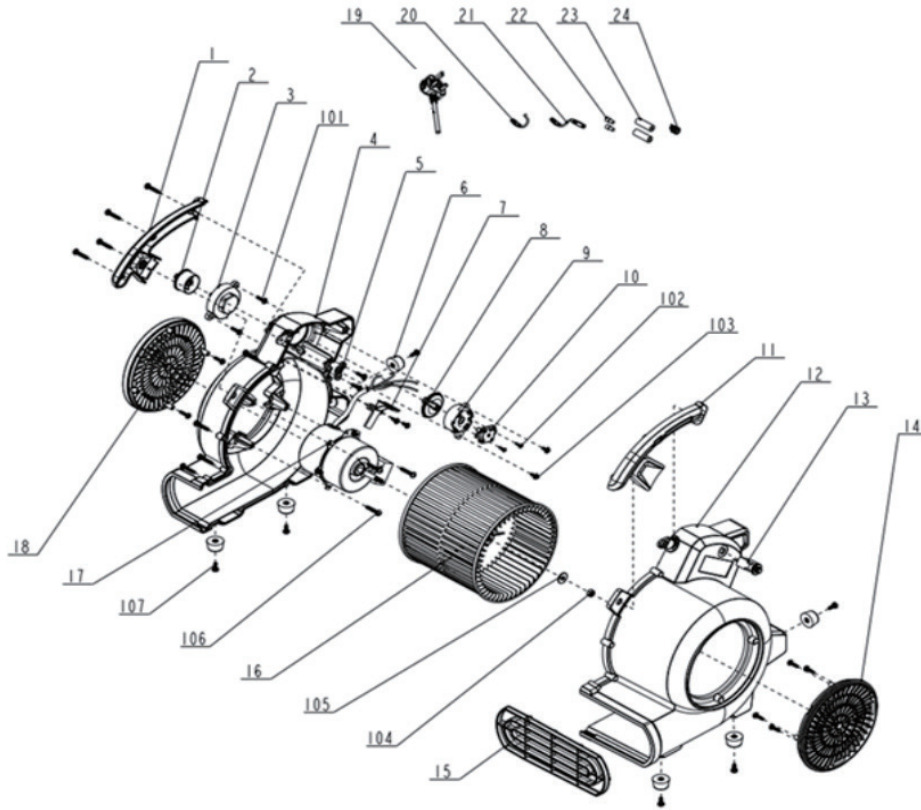
**WARNING:** Unplug before disassembling or servicing.

**WARNING:** All disassembly and repairs should be performed by qualified personnel. Minor problems often can be fixed without calling customer service.

**WARNING:** If the supply cord is damaged, it must be replaced by the manufacturer, its service agent or similarly qualified persons in order to avoid a hazard.

PROBLEM	CAUSE	SOLUTION
Unit will not run.	1. No power to unit. 2. Switch not on.	1. Plug unit in. Check circuit breaker. 2. Place in "ON" position. 3. Reset circuit breaker.
Unit runs but Air Mover makes loud scraping noise.	1. Unit has been severely jolted causing blower wheel to rub against housing or housing to deform.	1. Contact customer service.
Unit runs but vibrates excessively.	1. Dirt build up on one side of Air Mover blower wheel. 2. Severe jolt has bent motor shaft.	1. Clean blower wheel blades. 2. Contact customer service.
Unit runs but blower wheel does not turn.	1. Blower wheel is jammed against housing.	1. Contact customer service.
Unit runs briefly, then shuts off on overload.	1. Intake grille and /or exhaust grille is obstructed. 2. Motor bearings are failing or motor has developed an internal electrical fault.	1. Remove obstruction. 2. Contact customer service.

## EXPLODED VIEW



## PARTS LIST

PART	DESCRIPTION	QTY
1	Handle Left	1
2	Knob Timer	1
3	Timer	1
4	Housing Left	1
5	Cord Cover	1
6	Foot Pad	6
7	Cord Cover	1
8	Knob	1
9	Switch Retainer	1
10	Switch	1
11	Handle Right	1
12	Housing Right	1
13	Current Protector	1
14	Grille Right	1
15	Grille Outlet Enlarge	1
16	Fan	1
17	Motor	1
18	Grille Left	1
19	Power Cord	1
20	Internal Wire 3	1
21	Internal Wire	1
22	Crimp cap	2
23	Crimp cap Protector	2
24	Rolled Strip	1
101	SCREW_ST39X16F	12
102	SCREW_ST29X10F	2
103	SCREW_ST39X10F	4
104	NUT_M6	1
105	WAHSER_Φ6	1
106	SCREW_ST48x25F	16
107	SCREW_ST48x12F	6

### **SGS Engineering (UK) Ltd 2 Years Limited Warranty**

This warranty covers any defects in materials or workmanship of the enclosed product. SGS Engineering (UK) Ltd will replace any defective materials due to the craftsmanship of the product. This warranty does not cover any problem caused by misuse, abuse, accidents, or acts of God, such as floods or hurricanes. Consequential and incidental damages are not covered under this warranty. Coverage terminates if you sell or otherwise transfer the ownership. If you feel you have a defective product, please return it to the store where you acquired it along with a copy of your receipt.

Address: Unit 1, West Side Park, Belmore Way,  
Derby, DE21 7AZ, United Kingdom.

Telephone: 01332576850;

Support email: [support@sgs-engineering.com](mailto:support@sgs-engineering.com)

We will inspect the product and contact you within 72 business hours to give you the results of our inspection, we reserve the right to replace the product at our discretion. However; we may replace the product with one of the similar but not exact features.

This warranty gives you specific legal rights. You may have other rights that vary from country to country.



SGS Engineering (UK) Ltd  
West Side Park  
Raynesway  
Derby, DE21 7AZ

## EC Declaration of Conformity

**This is an important document and should be retained**

MANUFACTURER'S NAME: SGS Engineering (UK) Ltd

TYPE OF EQUIPMENT: AIR MOVER

PART NUMBER: AM0155/SAM130

APPLICATION OF EC COUNCIL DIRECTIVES / STANDARD:

BS EN 60335-2-80:2003+A1:2004+A2: 2009

BS EN 60335-1:2012+AC:2014+A11:2014+A13:2017+A1:2019+A14:2019+A2:2019

BS EN 62233:2008 + AC:2008

UK Electrical Equipment (Safety) Regulations 2016

Restriction of the use of certain hazardous substance in electrical and electronic equipment (RoHS) Directive 2011/65/EU Annex II with its amendment Directive (EU) 2015/863

I, the undersigned, hereby declare that the equipment specified above conforms to the above European Communities Directive(s) and Standard(s).

PLACE: Derby, UK

DATE: 25th APR 2025

A handwritten signature in black ink, appearing to read 'Neil Sansom', written over a horizontal line.

(Signature)  
Neil Sansom,  
Company Chief Executive Officer